



CAT8.1 S/FTP Patch Cable

Technical Features

Type: Premium CAT 8.1 Round Patch Cord

Cat.8.1 Class I ISO11801 channel tested

Application: 40G Base-T, PoE+, PoE++

Wire: 4 x 2 x 26/7 AWG bare copper

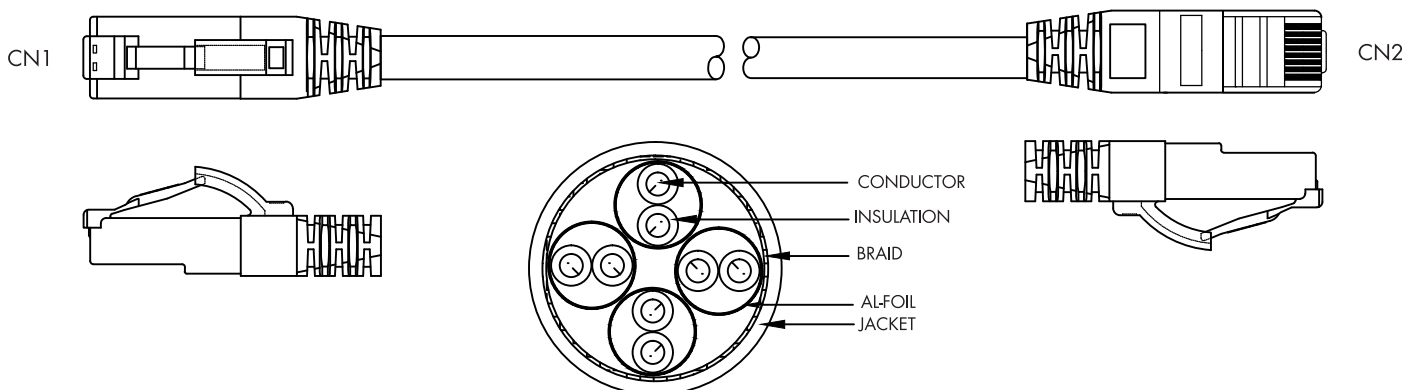
Shielding: Overall screen, pairs in metal foil (PiMF)

Cable: LSZH sheath, 6.8 mm cable OD

Plug: RJ45, shielded, 50 μ gold plated contacts

Color of cable: Light grey RAL7035

Technical Drawings



Art-No.	Cable Length	EAN Code
CQ8022S	0.5m	4052792051926
CQ8032S	1m	4052792051933
CQ8042S	1.5m	4052792051940
CQ8052S	2m	4052792051957
CQ8062S	3m	4052792051964
CQ8072S	5m	4052792051971
CQ8092S	10m	4052792051988
CQ8102S	15m	4052792052145

Package Contents

CAT8.1 S/FTP Patch Cable

Packaging Information

Art-No.	Packing Dimension	Packing Weight	Carton Dimension	Carton Q'ty	Carton Weight
CQ8022S	mm	kg	mm	pc	kg
CQ8032S	mm	kg	mm	pc	kg
CQ8042S	mm	kg	mm	pc	kg
CQ8052S	mm	kg	mm	pc	kg
CQ8062S	mm	kg	mm	pc	kg
CQ8072S	mm	kg	mm	pc	kg
CQ8092S	mm	kg	mm	pc	kg
CQ8102S	mm	kg	mm	pc	kg

