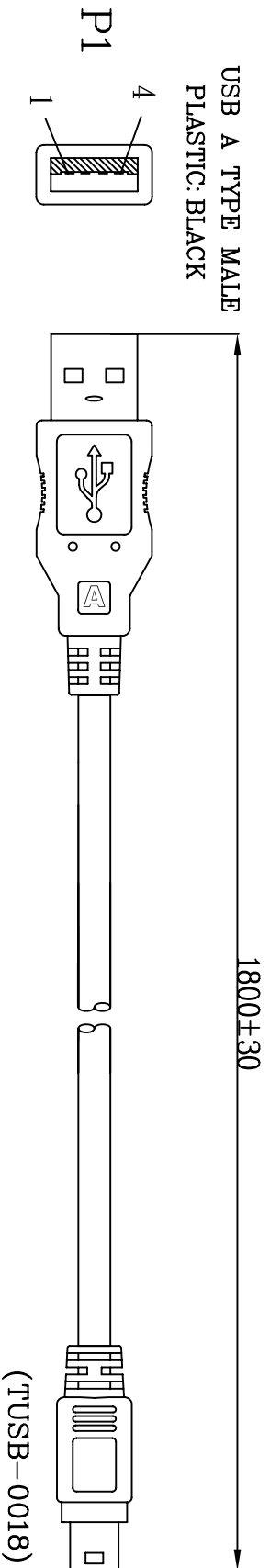


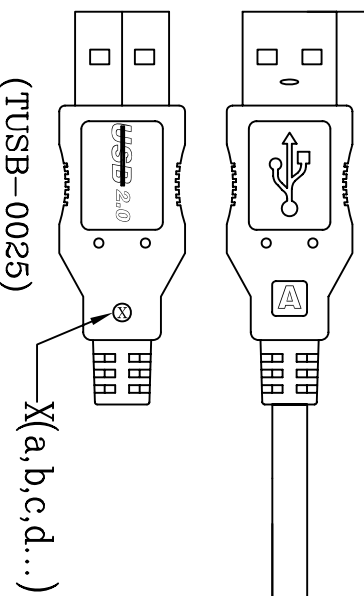
# ROHS-COMPLIANT

LTR	REV.	DESCRIPTION	DATE

USB A TYPE MALE  
PLASTIC: BLACK



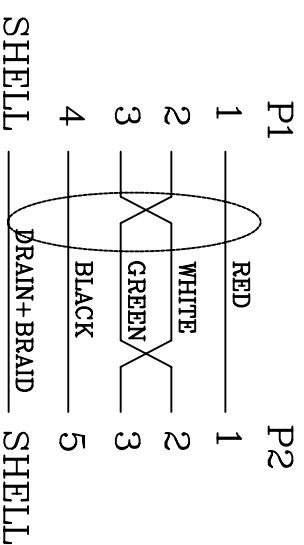
MINI USB 5P/M  
PLASTIC: BLACK



**NOTE:**

1. CABLE: UL-2725 [28AWG(7/0.127)T.C\*1P+28AWG(7/0.127)T.C\*2C + AL-FOIL/MYLAR+DRAIN WIRE+BRAID(65% ALUMINUM)]PVC JACKET;  
OD:  $\phi 3.8 \pm 0.15$ mm COLOR: MATT BLACK (NK-K01), REV 2.0.(C2725525BA)
2. CONNECTOR:
  - P1: USB A TYPE MALE GOLD FLASH CONTACT, NICKEL PLATED SHELL.
  - P2: MINI USB B TYPE 5P MALE GOLD FLASH CONTACT, NICKEL PLATED SHELL.
3. HOOD: MOULDED TYPE, PVC 45P, COLOR: BLACK(NK-K01)
4. ELECTRICAL TEST:

- <1>.100% OPEN SHORT & MIS WIRE TEST .
- <2>.CONTACT RESISTANCE 3 Ohms MAX
- <3>.INSULATION RESISTANCE 10M Ohms MIN.
- 5. PACKING: <1>EACH PC / POLYBAG + EAN CODE LABEL & ROHS LABEL
- <2>EACH CARTON / ROHS LABEL(L\*W=35\*22mm) + EAN CODE LABEL
- <3>EAN CODE: 4260113564158.



Tolerance	Inch	M/M
X	.015	.30
XX	.010	.10
XXX	.005	.05

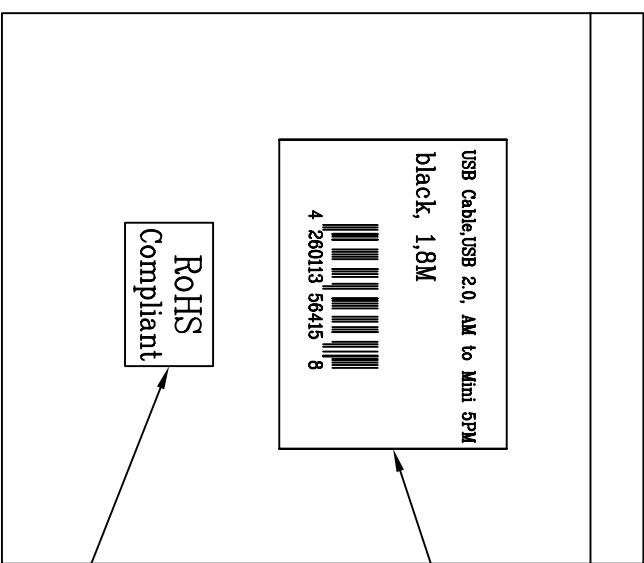
Draw	PANNIE 02/26/07
Check	Customer P/N: CU0014
Engr	App'd
	Scale NONE Units m/m Third Angle Projection
	Dwg No. 170-3045 REV: A Sheet 1/2

**2DIRECT GMBH**

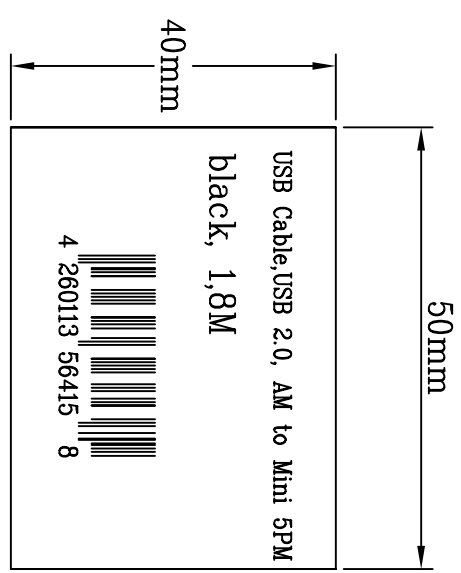
Title  
USB A(M)-MINI USB 5P(M) REV2.0 CABLE

LTR	REV.	DESCRIPTION	DATE

POLYBAG



LABEL POSITION



LABEL  
(#=CABLE LENGHTH)

Tolerance	Inch	M/M	2DIREKT GMBH			
X	.015	.30	<b>Title</b> USB A(M)-MINI USB 5P(M) REV2. 0 CABLE Customer P/N: CU0014			
XX	.010	.10				
XXX	.005	.05				
Draw	FANNIE 02/26/07'					
Check	App'd		Customer: E-DIR			
Engr	Scale	NONE	Units	m/m	Third Angle Projection	
	Dwg No.	170-3045	REV: A	Sheet	2/2	