

## Canovate 19" Network Cabinet

This floor standing cabinet is a cost effective network rack cabinet system fulfills high density cabling and data center requirements. Helps simplify cable installation and maintenance while providing maximum cable capacity for your high-density cabling requirements. A wide range of cable management accessories is available to ensure perfect management of copper, fiber cables and 19" equipment.

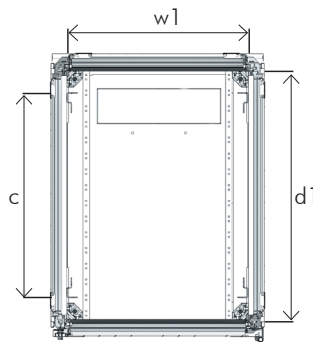
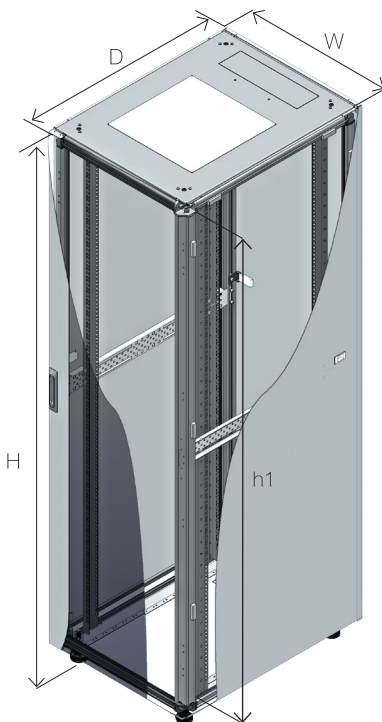


### Technical Features

|                             |                                                    |
|-----------------------------|----------------------------------------------------|
| <b>Material:</b>            | 1.2 - 1.5 mm steel                                 |
| <b>Maximum Static Load:</b> | Up to 1500 kg, depending on model                  |
| <b>Finish:</b>              | Electrostatic powder paint / Zinc-plated 19" rails |
| <b>Color:</b>               | RAL 7035 light grey or RAL 9005 black              |

### Standard Configuration

- Front door with safety glass and swing-handle single point lock
- Solid side and rear panel with cylindrical lock and latches
- Internal top sheet with 3 cable entries and fan cut-outs
- 2 pairs of depth adjustable heavy duty 19" mounting rails
- Internal bottom sheet, 2 pairs of adjustable feet
- Color: RAL 7035 light grey or RAL 9005 black
- UL- and Gost-R certified



RoHS  
compliant



\* The specifications and pictures are subject to change without notice.  
 \*All trade names referenced are the registered namework of their respective owners.

## Canovate 19" Network Cabinet - RAL 9005 Black

| Height U | Outer Width (W) mm | Outer Depth (D) mm | Outer Height (H) mm | Inner Height (h1) mm | Inner Width (w1) mm | Inner Depth (d1) mm | 19" Rails Adjustable Depth Range (c) mm | Weight kg | Part No. | EAN Code      |
|----------|--------------------|--------------------|---------------------|----------------------|---------------------|---------------------|-----------------------------------------|-----------|----------|---------------|
| 16U      | 600                | 600                | 878                 | 718                  | 503                 | 550                 | 123 - 373                               | 53        | D16S66B  | 8698800000027 |
| 16U      | 600                | 800                | 878                 | 718                  | 503                 | 750                 | 123 - 573                               | 61        | D16S68B  | 8698800000102 |
| 22U      | 600                | 600                | 1144                | 984                  | 503                 | 550                 | 123 - 373                               | 63        | D22S66B  | 8698800000041 |
| 22U      | 600                | 800                | 1144                | 984                  | 503                 | 750                 | 123 - 573                               | 71        | D22S68B  | 8698800000126 |
| 22U      | 600                | 1000               | 1144                | 984                  | 503                 | 950                 | 123 - 773                               | 85        | D22S61B  | 8698800000188 |
| 22U      | 800                | 800                | 1144                | 984                  | 703                 | 750                 | 123 - 573                               | 73        | D22S88B  | 8698800000249 |
| 22U      | 800                | 1000               | 1144                | 984                  | 703                 | 950                 | 123 - 773                               | 74        | D22S81B  | 8698800000300 |
| 32U      | 600                | 600                | 1588                | 1428                 | 503                 | 550                 | 123 - 373                               | 78        | D32S66B  | 8698800000065 |
| 32U      | 600                | 800                | 1588                | 1428                 | 503                 | 750                 | 123 - 573                               | 88        | D32S68B  | 8698800000140 |
| 32U      | 600                | 1000               | 1588                | 1428                 | 503                 | 950                 | 123 - 773                               | 90        | D32S61B  | 8698800000201 |
| 32U      | 800                | 800                | 1588                | 1428                 | 703                 | 750                 | 123 - 573                               | 103       | D32S88B  | 8698800000263 |
| 32U      | 800                | 1000               | 1588                | 1428                 | 703                 | 950                 | 123 - 773                               | 105       | D32S81B  | 8698800000324 |
| 42U      | 600                | 600                | 2033                | 1873                 | 503                 | 550                 | 123 - 373                               | 94        | D42S66B  | 8698800000089 |
| 42U      | 600                | 800                | 2033                | 1873                 | 503                 | 750                 | 123 - 573                               | 106       | D42S68B  | 8698800000164 |
| 42U      | 600                | 1000               | 2033                | 1873                 | 503                 | 950                 | 123 - 773                               | 114       | D42S61B  | 8698800000225 |
| 42U      | 800                | 800                | 2033                | 1873                 | 703                 | 750                 | 123 - 573                               | 122       | D42S88B  | 8698800000287 |
| 42U      | 800                | 1000               | 2033                | 1873                 | 703                 | 950                 | 123 - 773                               | 140       | D42S81B  | 8698800000348 |

## Canovate 19" Network Cabinet - RAL 7035 Light Grey

| Height U | Outer Width (W) mm | Outer Depth (D) mm | Outer Height (H) mm | Inner Height (h1) mm | Inner Width (w1) mm | Inner Depth (d1) mm | 19" Rails Adjustable Depth Range (c) mm | Weight kg | Part No. | EAN Code      |
|----------|--------------------|--------------------|---------------------|----------------------|---------------------|---------------------|-----------------------------------------|-----------|----------|---------------|
| 16U      | 600                | 600                | 878                 | 718                  | 503                 | 550                 | 123 - 373                               | 53        | D16S66G  | 8698800000010 |
| 16U      | 600                | 800                | 878                 | 718                  | 503                 | 750                 | 123 - 573                               | 61        | D16S68G  | 8698800000096 |
| 22U      | 600                | 600                | 1144                | 984                  | 503                 | 550                 | 123 - 373                               | 63        | D22S66G  | 8698800000034 |
| 22U      | 600                | 800                | 1144                | 984                  | 503                 | 750                 | 123 - 573                               | 71        | D22S68G  | 8698800000119 |
| 22U      | 600                | 1000               | 1144                | 984                  | 503                 | 950                 | 123 - 773                               | 85        | D22S61G  | 8698800000171 |
| 22U      | 800                | 800                | 1144                | 984                  | 703                 | 750                 | 123 - 573                               | 73        | D22S88G  | 8698800000232 |
| 22U      | 800                | 1000               | 1144                | 984                  | 703                 | 950                 | 123 - 773                               | 74        | D22S81G  | 8698800000294 |
| 32U      | 600                | 600                | 1588                | 1428                 | 503                 | 550                 | 123 - 373                               | 78        | D32S66G  | 8698800000058 |
| 32U      | 600                | 800                | 1588                | 1428                 | 503                 | 750                 | 123 - 573                               | 88        | D32S68G  | 8698800000133 |
| 32U      | 600                | 1000               | 1588                | 1428                 | 503                 | 950                 | 123 - 773                               | 90        | D32S61G  | 8698800000195 |
| 32U      | 800                | 800                | 1588                | 1428                 | 703                 | 750                 | 123 - 573                               | 103       | D32S88G  | 8698800000256 |
| 32U      | 800                | 1000               | 1588                | 1428                 | 703                 | 950                 | 123 - 773                               | 105       | D32S81G  | 8698800000317 |
| 42U      | 600                | 600                | 2033                | 1873                 | 503                 | 550                 | 123 - 373                               | 94        | D42S66G  | 8698800000072 |
| 42U      | 600                | 800                | 2033                | 1873                 | 503                 | 750                 | 123 - 573                               | 106       | D42S68G  | 8698800000157 |
| 42U      | 600                | 1000               | 2033                | 1873                 | 503                 | 950                 | 123 - 773                               | 114       | D42S61G  | 8698800000218 |
| 42U      | 800                | 800                | 2033                | 1873                 | 703                 | 750                 | 123 - 573                               | 122       | D42S88G  | 8698800000270 |
| 42U      | 800                | 1000               | 2033                | 1873                 | 703                 | 950                 | 123 - 773                               | 140       | D42S81G  | 8698800000331 |



\* The specifications and pictures are subject to change without notice.  
 \*All trade names referenced are the registered trademark of their respective owners.