

Keystone Module F female > F female 75 Ohm

Technical Features

Suitable for standard keystone panels and outlets

Snap-in mounting

Nickel-plated contact

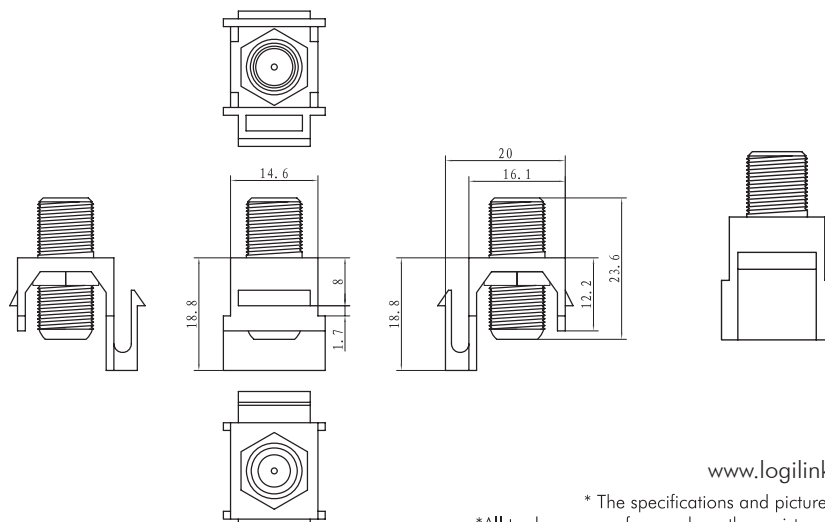
Thermoplastic housing

Easy installation

Part no.	Color	EAN Code
NK0018	White	4052792028461
NK0018B	Black	4052792046656



Technical Drawings



Unit: mm

www.logilink.com



RoHS
compliant



Made in China

* The specifications and pictures are subject to change without notice.
*All trade names referenced are the registered trademark of their respective owners.

Package Contents

Keystone module x 1

Packaging Informations

Packing Dimension	110 x 80 x 20mm
Packing Weight	0.01kg
Carton Dimension	340 x 240 x 280mm
Carton Q'ty	500pcs
Carton Weight	5kg



Made in China

www.logilink.com



RoHS
compliant



* The specifications and pictures are subject to change without notice.
*All trade names referenced are the registered trademark of their respective owners.